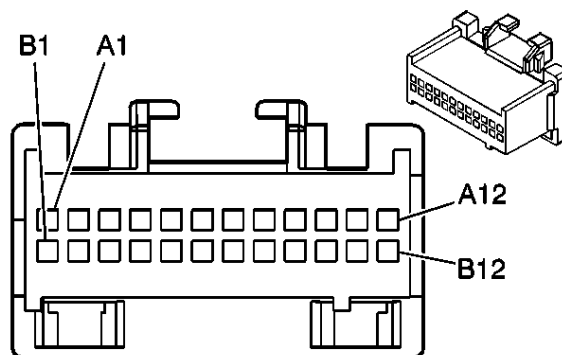


Entertainment Connector End Views

- Table 1: [Bose® Signal Processor--Coupe](#)
 Table 2: [Bose® Signal Processor--Hardtop/Convertible](#)
 Table 3: [Front Window Antenna Connector](#)
 Table 4: [Radio Antenna Module C1--Coupe](#)
 Table 5: [Radio Antenna Module C2--Coupe](#)
 Table 6: [Radio C1](#)
 Table 7: [Radio C2](#)
 Table 8: [Radio C3](#)
 Table 9: [Radio C4](#)
 Table 10: [Radio Power Antenna--Convertible](#)
 Table 11: [Remote Playback Device-CD Changer](#)
 Table 12: [Remote Playback Device-CD Changer--Dealer Installed](#)
 Table 13: [Speaker-LF Door](#)
 Table 14: [Speaker-LR](#)
 Table 15: [Speaker-RF Door](#)
 Table 16: [Speaker-RR](#)

Bose® Signal Processor--Coupe



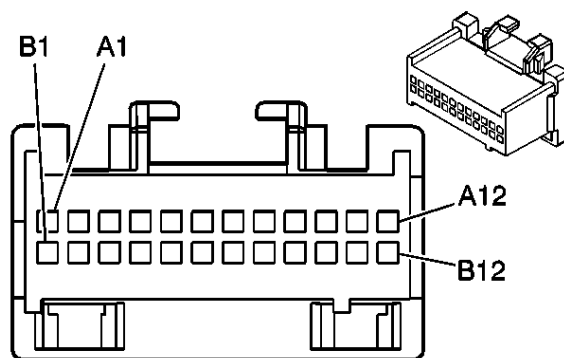
Connector Part Information

- 1210088
- 24-Way F Micro-Pack 100 Series (GRY)

Pin	Wire Color	Circuit No.	Function
A1	--	--	Not Used

A2	BRN/WHT	1999	Left Rear Low Level Audio Signal (-)
A3	BLK	1725	Audio Signal-LH Sub Woofer
A4	LT BLU	1960	Front Center Speaker Output (-)
A5-A7	--	--	Not Used
A8	DK GRN	145	Antenna Relay Coil Supply Voltage
A9	YEL	1726	Audio Signal-RH Sub Woofer
A10	--	--	Not Used
A11	LT GRN	512	Right Front Low Level Audio Signal (+)
A12	ORN	40	Battery Positive Voltage
B1	BLK	1051	Ground
B2	DK GRN	1947	Left Front Low Level Audio Signal (-)
B3	YEL	1860	Front Center Speaker Output (+)
B4	BARE	514	Ground
B5	TAN/BLK	511	Left Front Low Level Audio Signal (+)
B6	BRN	599	Left Rear Low Level Audio Signal (+)
B7	LT GRN/BLK	512	Right Front Low Level Audio Signal (+)
B8	DK BLU	546	Right Rear Low Level Audio Signal (+)
B9	BARE	514	Ground
B10	BLK	1946	Right Rear Low Level Audio Signal (-)
B11	TAN	511	Left Front Low Level Audio Signal (+)
B12	LT GRN	1948	Right Front Low Level Audio Signal (-)

Bose® Signal Processor--Hardtop/Convertible



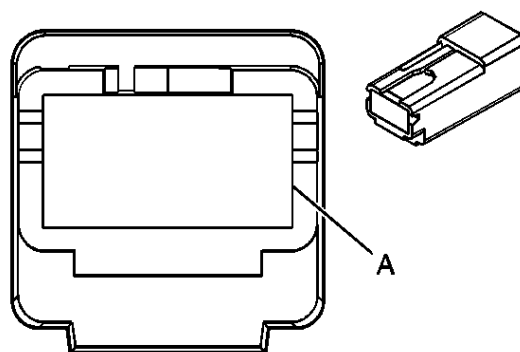
Connector Part Information

- 12110206
- 24-Way F Micro-Pack 100 Series (BLU)

Pin	Wire Color	Circuit No.	Function
A1	--	--	Not Used

A2	BRN/WHT	1999	Audio Signal-Conditioned-LH Rear
A3	BLK	1725	Audio Signal-LH Sub Woofer
A4	LT BLU	1960	Front Center Speaker Output (-)
A5-A7	--	--	Not Used
A8	DK GRN	145	Antenna Relay Coil Supply Voltage
A9	YEL	1726	Audio Signal-RH Sub Woofer
A10	--	--	Not Used
A11	LT GRN	512	Right Front Low Level Audio Signal (+)
A12	ORN	40	Battery Positive Voltage
B1	BLK	1051	Ground
B2	DK GRN	1947	Left Front Low Level Audio Signal (-)
B3	YEL	1860	Front Center Speaker Output (+)
B4	BARE	514	Ground
B5	TAN/BLK	511	Left Front Low Level Audio Signal (+)
B6	BRN	599	Left Rear Low Level Audio Signal (+)
B7	LT GRN/BLK	512	Right Front Low Level Audio Signal (+)
B8	DK BLU	546	Right Rear Low Level Audio Signal (+)
B9	BARE	514	Ground
B10	BLK	1946	Right Rear Low Level Audio Signal (-)
B11	TAN	511	Left Front Low Level Audio Signal (+)
B12	LT GRN	1948	Right Front Low Level Audio Signal (-)

Front Window Antenna Connector

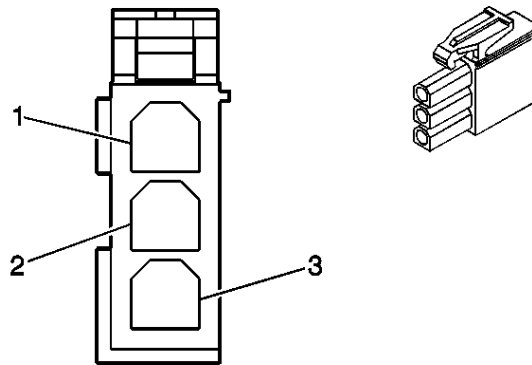


Connector Part Information

- 12092133
- 1-Way F Metri-Pack 630 Series Self Lock (BLK)

Pin	Wire Color	Circuit No.	Function
A	BLK	--	Front Windshield Antenna Signal

Radio Antenna Module C1--Coupe

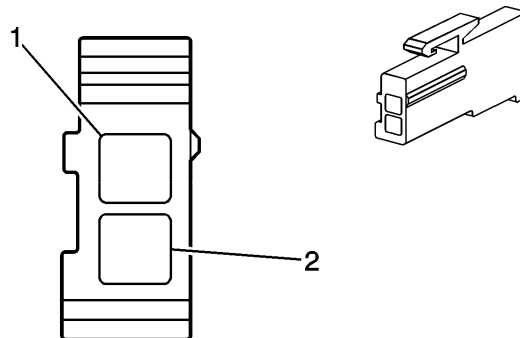


Connector Part Information

- 12186246
- 3-Way F Metri-Pack 150 Series (NAT)

Pin	Wire Color	Circuit No.	Function
1	--	--	Not Used
2	DK GRN	145	Antenna Relay Coil Supply Voltage
3	PNK	314	Radio On Signal

Radio Antenna Module C2--Coupe

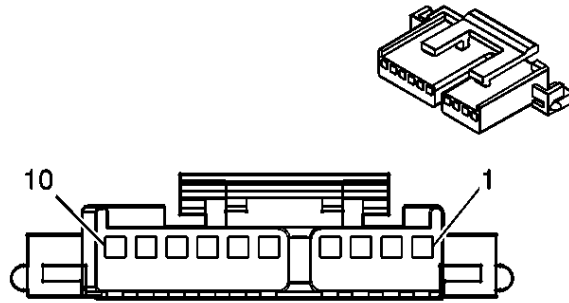


Connector Part Information

- 10774586
- 2-Way F Metri-Pack 150 Series (NAT)

Pin	Wire Color	Circuit No.	Function
1	DK GRN	900	Rear Windshield Antenna Signal
2	DK GRN	900	Rear Windshield Antenna Signal

Radio C1

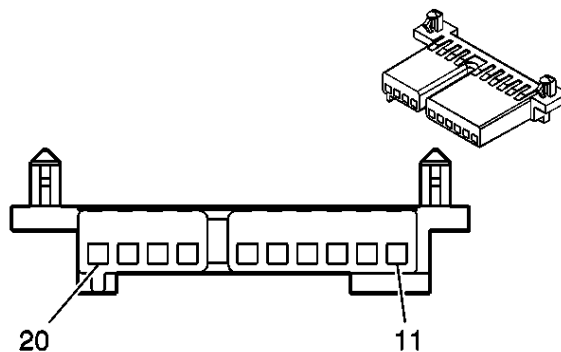


Connector Part Information

- 12047531
- 10-Way F Micro-Pack 100 Series (BLK)

Pin	Wire Color	Circuit No.	Function
1	GRY	118	Left Front Speaker Output (-)
2	TAN	201	Left Front Speaker Output (+)
3	DK GRN	117	Right Front Speaker Output (-)
4	LT GRN	200	Right Front Speaker Output (+)
5	BLK/WHT	351	Ground
6	PNK	314	Radio On Signal
7	--	--	Not Used
8	DK GRN	145	Antenna Relay Coil Supply Voltage
9	--	--	Not Used
10	ORN	440	Battery Positive Voltage

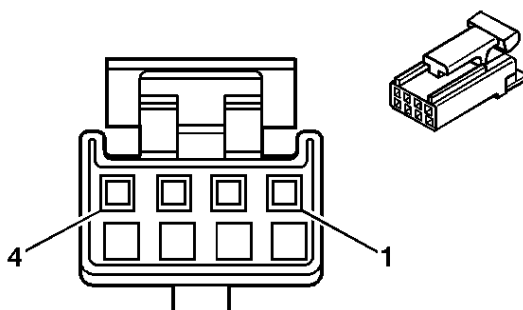
Radio C2



**Connector Part Information**

- 12065785
- 10-Way F Micro-Pack 100 Series (GRY)

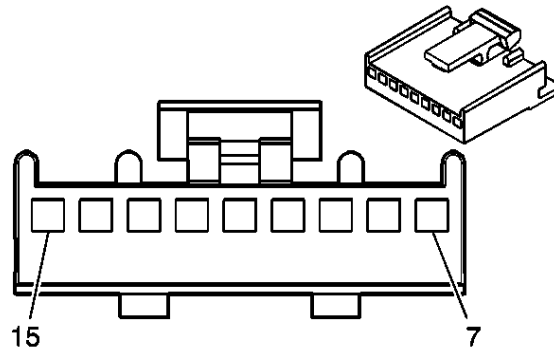
Pin	Wire Color	Circuit No.	Function
11	BRN/WHT	367	Remote Radio Left Audio Signal With UZ6
12	DK GRN/WHT	368	Remote Radio Right Audio Signal With UZ6
13	BLK/WHT	372	Remote Radio Audio Output (-) With UZ6
14	--	--	Not Used
15	DK GRN	835	Entertainment and Comfort Serial Data
16	ORN	1044	Radio Class 2 Serial Data
17	LT BLU	115	Right Rear Speaker Output (-)
18	DK BLU	46	Right Rear Speaker Output (+)
19	YEL	116	Left Rear Speaker Output (-)
20	BRN	199	Left Rear Speaker Output (+)

Radio C3**Connector Part Information**

- 12066189
- 4-Way F Micro-Pack 100 Series (NAT)

Pin	Wire Color	Circuit No.	Function
1	DK GRN	1947	Left Front Low Level Audio Signal (-)
2	LT GRN	1948	Right Front Low Level Audio Signal (-)
3	BRN/WHT	1999	Left Rear Low Level Audio Signal (-)
4	BLK	1946	Right Rear Low Level Audio Signal (-)

Radio C4

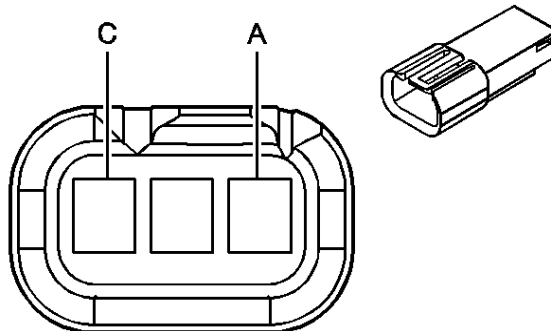


Connector Part Information

- 12066130
- 9-Way F Micro-Pack 100 Series (NAT)

Pin	Wire Color	Circuit No.	Function
7	YEL	1860	Front Center Speaker Output (+)
8	BARE	2011	Drain Wire
9	TAN/BLK	511	Left Front Low Level Audio Signal (+)
10	LT GRN/BLK	512	Right Front Low Level Audio Signal (+)
11	BRN	599	Left Rear Low Level Audio Signal (+)
12	DK BLU	546	Right Rear Low Level Audio Signal (+)
13	LT BLU	1960	Front Center Speaker Output (-)
14	BARE	2012	Drain Wire
15	BLK	1051	Ground

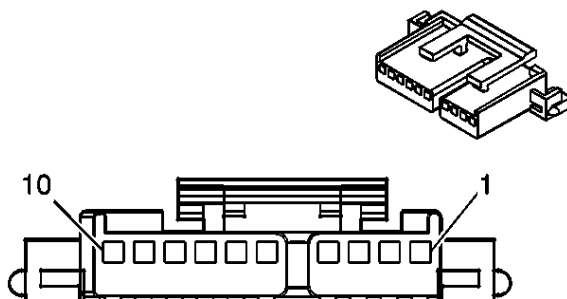
Radio Power Antenna--Convertible



**Connector Part Information**

- 12047782
- 3-Way M Metri-Pack 150 Series (BLK)

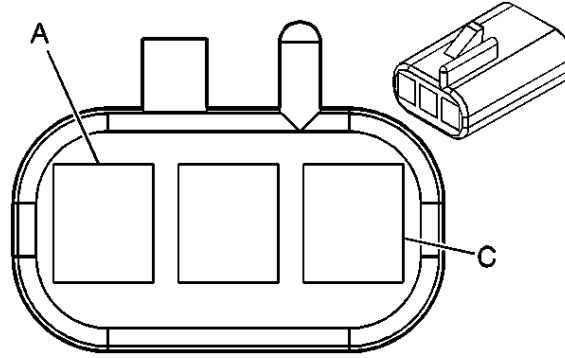
Pin	Wire Color	Circuit No.	Function
A	ORN	40	Battery Positive Voltage
B	DK GRN	145	Antenna Relay Coil Supply Voltage
C	BLK	150	Ground

Remote Playback Device-CD Changer**Connector Part Information**

- 12047531
- 10-Way F Micro-Pack 100 Series (BLK)

Pin	Wire Color	Circuit No.	Function
1	BRN/WHT	367	Remote Radio Left Audio Signal
2	DK GRN/WHT	368	Remote Radio Right Audio Signal
3	BLK/WHT	372	Remote Radio Audio Output (-)
4	BARE	514	Ground
5	ORN	440	Battery Positive Voltage
6	--	--	Not Used
7	BLK/WHT	351	Ground
8-9	--	--	Not Used
10	DK GRN	835	Entertainment and Comfort Serial Data

Remote Playback Device-CD Changer--Dealer Installed

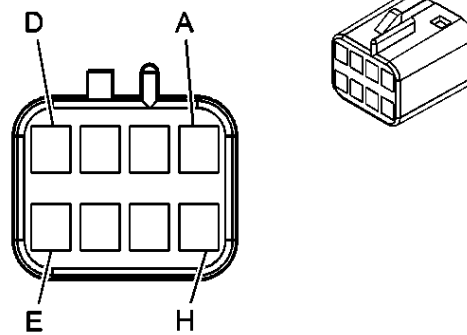


Connector Part Information

- 12047781
- 3-Way F Metri-Pack 150 Series (BLK)

Pin	Wire Color	Circuit No.	Function
A	ORN	440	Battery Positive Voltage
B	DK GRN	835	Entertainment and Comfort Serial Data
C	BLK/WHT	351	Ground

Speaker-LF Door



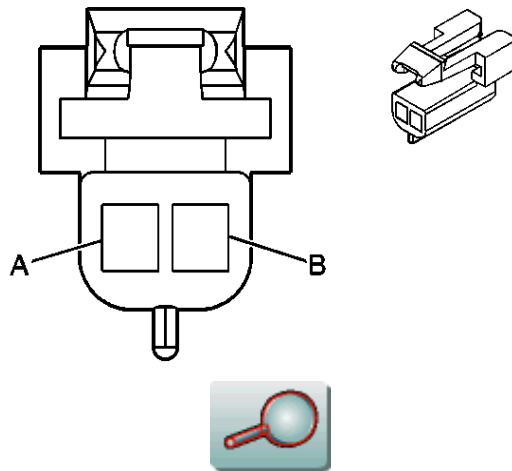
Connector Part Information

- 12065398
- 8-Way F Metri-Pack 150 Series (NAT)

Pin	Wire Color	Circuit No.	Function
A	ORN	360	Speaker Supply Voltage
B	BLK/WHT	351	Ground
C	BLK	1725	Audio Signal-LH Sub Woofer
D	TAN	201	Battery Positive Voltage
E	GRY	118	Left Front Speaker Output (-)

F	TAN	511	Left Front Low Level Audio Signal (+)
G	BLK/WHT	351	Ground
H	ORN	360	Speaker Supply Voltage

Speaker-LR

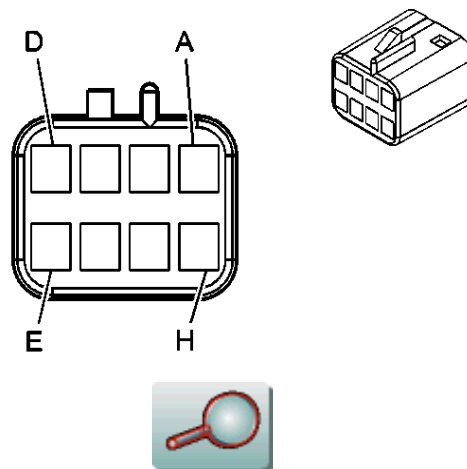


Connector Part Information

- 12052832
- 2-Way F Metri-Pack 150 Series (BLK)

Pin	Wire Color	Circuit No.	Function
A	YEL	116	Left Rear Speaker Output (-)
B	BRN	199	Rear Speaker Output (+)

Speaker-RF Door



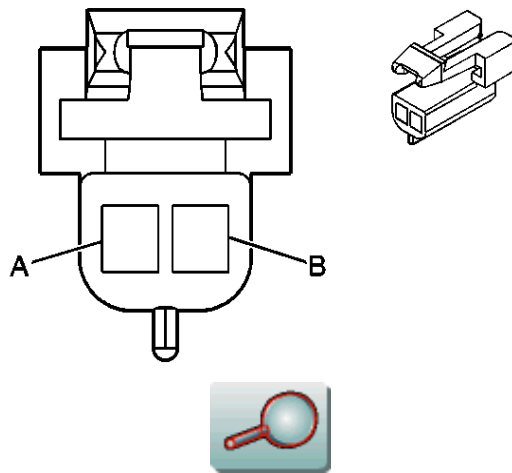
Connector Part Information

- 12065398
- 8-Way F Metri-Pack 150 Series (NAT)

Pin	Wire Color	Circuit No.	Function
-----	------------	-------------	----------

A	ORN	360	Speaker Supply Voltage
B	BLK/WHT	351	Ground
C	ORN/BLK	1726	Audio Signal-RH Sub Woofer
D	LT GRN	200	Right Front Speaker Output (+)
E	DK GRN	117	Right Front Speaker Output (-)
F	LT GRN	512	Right Front Low Level Audio Signal (+)
G	BLK/WHT	351	Ground
H	ORN	360	Speaker Supply Voltage

Speaker-RR



Connector Part Information

- 12052832
- 2-Way F Metri-Pack 150 Series (BLK)

Pin	Wire Color	Circuit No.	Function
A	LT BLU	115	Right Rear Speaker Output (-)
B	DK BLU	46	Right Rear Speaker Output (+)

Document ID# 833966
2003 Chevrolet Corvette